

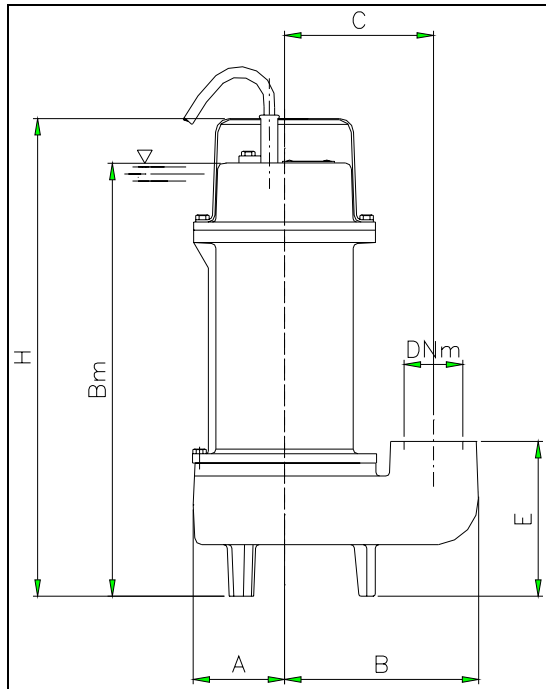
ELECTRO-MECHANICAL UNIT	Rated delivered power:	1,5 kW	Motor poles/revolutions:	2900 1/min - 2Poles
	Rated absorbed power:	2,06 kW	Motor phases:	M - Single-phase
	Rated absorbed current:	9,3 A	Service:	S1 submersible or w/sleeve
	Starting current:	Not available	Motor protection:	IP 68
	Starting torque:	Not available	Insulation class (ICL):	F
	Rated Cos Ø:	0,96	Max. Starts per hour:	20
	Rated motor performance:	73%	Standard cable type:	5 mt-H07RN-F 4G1
	Detailed description of series:	Submersible pumps consisting of a EN-GJL-250 cast iron electromechanical unit intended for submersible operation, equipped with 2 conventionally installed mechanical seals. Oil filled motor. Separate hydraulic unit. Explosion-proof version not available.*		
	Standard mechanical seals	1 mechanical silicon carbide (Viton) seal and 1 mechanical graphite alumina (NBR) seal		
	Lifting:	With handle on motor cover		
Ball bearings:	Upper permanently lubricated ball bearing, lower oil-immersed ball bearing			
Winding type:	Induction motor with oil-filled winding and automatic overload protection			
Impregnation type:	Doubly impregnated humidity-resistant winding			
Direction of rotation:	Clockwise seen from top of electric pump			
Data provided above refers to hydraulic tests carried out at: 230 Volt 50 Hz				

MATERIALS	<b>Mechanical unit:</b>	EN-GJL-250 cast iron	<b>Hyd. Unit, impeller:</b>	EN-GJL-250 cast iron
	<b>Shaft:</b>	X30Cr13 (AISI420) steel	<b>Bolts and Screws:</b>	INOX A2 steel
	<b>Seals (O-Ring):</b>	NBR-SBR rubber	<b>Grinder cutter:</b>	Not applicable
	<b>**Cooling jacket:</b>	Not applicable	<b>Painting:</b>	Ecological epoxy vinyl
** Cooling jacket supplied upon request in series specified				

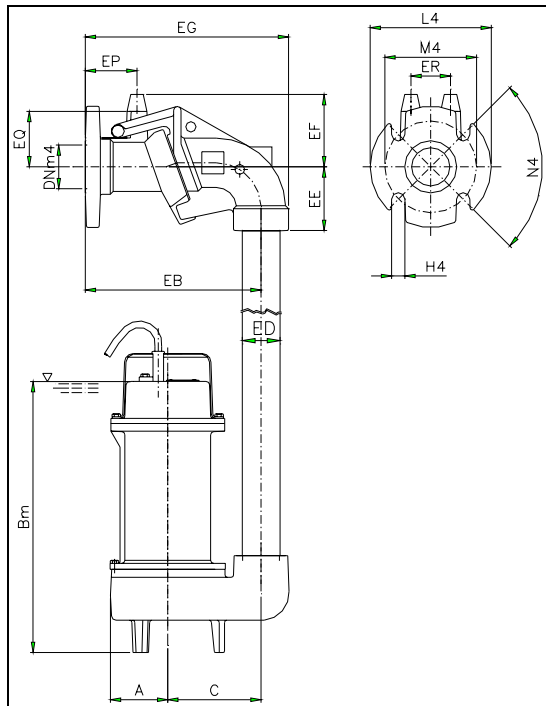
LIMITS ON USE REFERENCE STANDARDS	<b>Max. operating temp.:</b>	40 °C	<b>Max. sub. depth:</b>	20 m
	<b>Liquid PH:</b>	6 to 10	<b>Liquid density:</b>	1 kg/dm <sup>3</sup>
	<b>Viscosity of liquid:</b>	1 mm <sup>2</sup> /s	<b>Max. acoustic press.:</b>	< 70 dB dB
	<b>Reference standards:</b> <ul style="list-style-type: none"> <li>EN 292-1; EN 292-2; CEI EN 60529; ISO 9906; CEI EN 60034-1.</li> <li>CEI EN 60204; UNI ISO 6009; UNI EN 1561-1563; UNI EN 10098.</li> <li>Low voltage directive 73/23/CEE.</li> <li>Procedures specified by Zenit S.p.a. Quality System, UNI EN ISO 9001 (ISO 9001) certified, DNV n. SQ 0660-IT certified.</li> <li>Machines directive 89/392/CEE and successive amendments thereto (directives 91/368/CEE, 93/68/CEE), electromagnetic compatibility directive 89/336/CEE</li> </ul>			

SYMBOLS		Product complying with European standards in force  Company Quality System complying with UNI ISO norm
---------	---	--

<b>VARIANTS AVAILABLE</b>	<b>Electrical accessories</b>	
	<i>T</i>	Thermistor
	<i>TCST</i>	Thermistor, capacitor, starter box and overload protection
	<i>TCSGT</i>	Thermistor, capacitor, starter box, float and overload protection
	<i>TCSGLT</i>	Thermistor, capacitor, starter box, 0.5 m float and overload protection
	<b>Set of mechanical seals</b>	
	<i>SICAL</i>	1 mechanical silicon carbide (Viton) seal and 1 mechanical graphite alumina (NBR) seal
	<i>2SIC</i>	2 mechanical silicon carbide (Viton) seals
	<b>Cooling system / mechanical seal flushing versions*</b>	
	<i>N</i>	No sleeve and/or seal flushing



A	B	Bm	C	DNm	DNm4	E
80	166	367	127	2	2	132
EB	ED	EE	EF	EG	EP	EQ
240	2	87	98	278	70	75
ER	H	H4	L4	M4		
54	405	18	165	125		



• These drawings do not represent actual product appearance. Refer to the outline on the previous page.

Dimensions 'mm' except than: DNm-inches DNm4-inches ED-inches	<b>Mass:</b> 21,5 Kg	<b>Possible installations:</b>	I1-I2-I3
---	----------------------	--------------------------------	----------

\*For more information see the descriptive sections