

## Applications

Franklin Electric offers this line of motor-pump couplings for maximum customer convenience in matching the Franklin motor to a variety of pump shafts. Couplings are designed to transmit the pump thrust to the motor in order to provide maximum benefits from the Franklin internal thrust bearing construction.

Hardened stainless steel spacer discs in the 4" and 6" couplings assure positive bearing between motor and pump shafts, and assure full support for downward thrust created by the pump.

8" couplings DO NOT contain hardened spacer discs, since the motor shaft itself is hardened.

All couplings include Allen head 300 series stainless steel set screws.



## #416 Stainless Steel Couplings

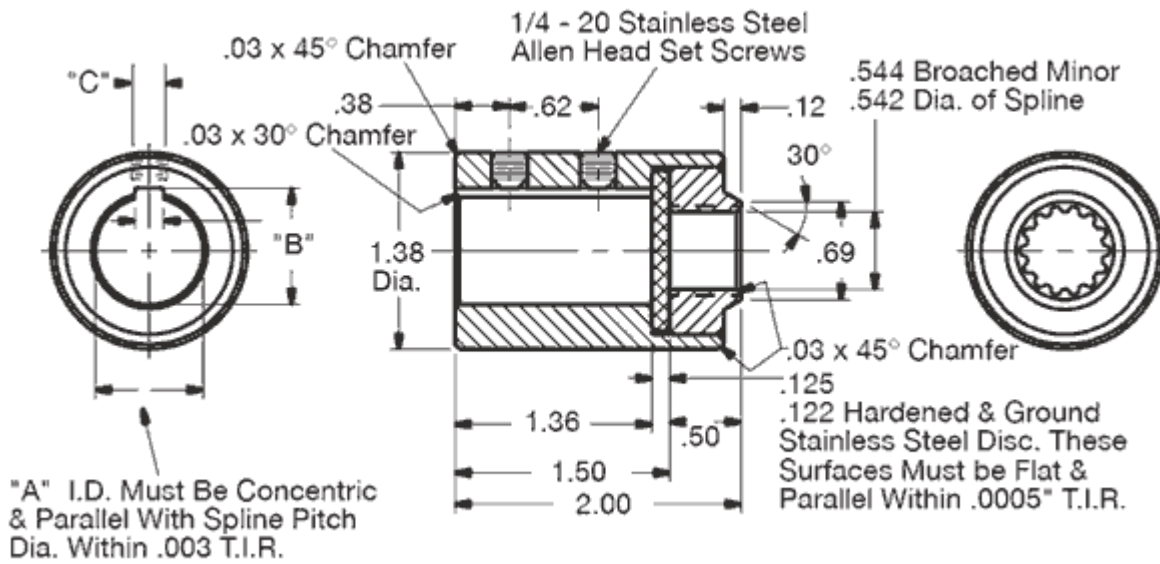
MOTOR SIZE	PUMP SHAFT DIA.	STAINLESS STEEL KEY (INCLUDED) WxDxL	COUPLING PART NUMBER
4-Inch	3/4	3/16 x 1/8 x 1 3/8	151 551 911
6-Inch	3/4	3/16 x 1/8 x 1 3/4	151 935 902
6-Inch	7/8	1/4 x 3/16 x 1 3/4	151 935 901
6-Inch	1	1/4 x 3/16 x 1 3/4	151 935 909
8-Inch	1	1/4 x 1/4 x 2	151 922 901
8-Inch	1 3/16	1/4 x 1/4 x 2	151 922 906
8-Inch	1 3/16	5/16 x 5/16 x 2	151 922 902
8-Inch	1 1/4	5/16 x 5/16 x 2	151 922 903
8-Inch	1 1/2	3/8 x 3/8 x 2	151 922 904

## #316 Stainless Steel Couplings

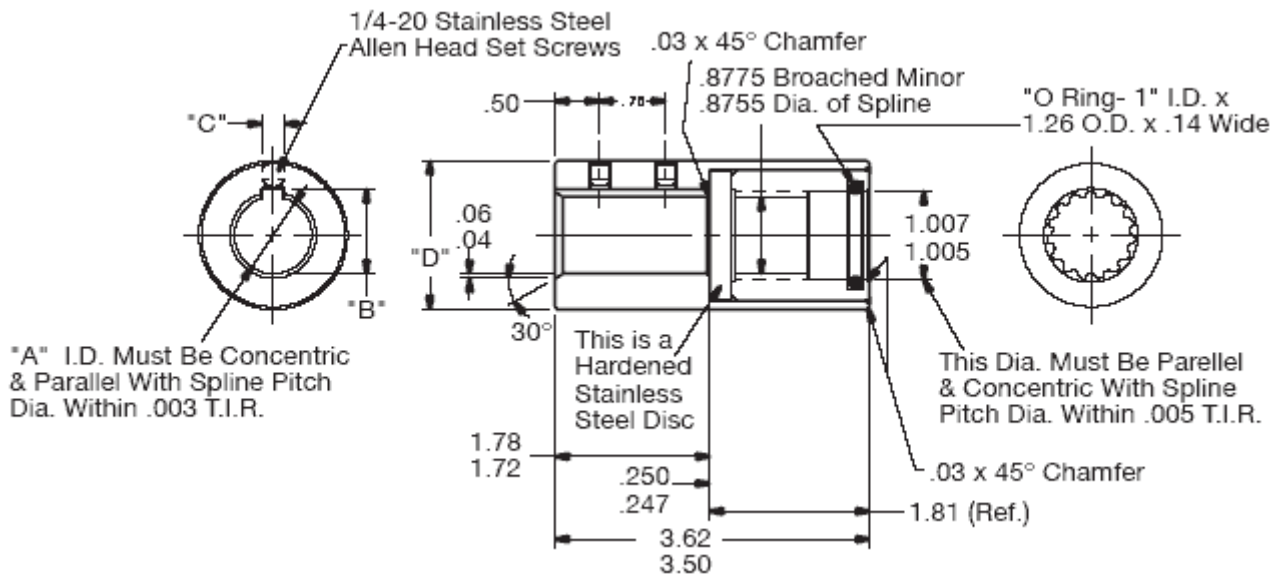
MOTOR SIZE	PUMP SHAFT DIA.	STAINLESS STEEL KEY (INCLUDED) WxDxL	COUPLING PART NUMBER
4-Inch	3/4	3/16 x 1/8 x 1 3/8	151 551 931
6-Inch	3/4	3/16 x 1/8 x 1 3/4	151 935 922
6-Inch	7/8	1/4 x 3/16 x 1 3/4	151 935 921
6-Inch	1	1/4 x 3/16 x 1 3/4	151 935 929
8-Inch	1 3/16	1/4 x 1/4 x 2	151 922 926
8-Inch	1 1/4	5/16 x 5/16 x 2	151 922 923
8-Inch	1 1/2	3/8 x 3/8 x 2	151 922 924
8-Inch	1 11/16	3/8 x 3/8 x 2	151 922 929

## 4-Inch Coupling

---



### 6-Inch Coupling



### 8-Inch Coupling

