

6" • Water Well • Six Lead Wye-Delta



APPLICATIONS

These motors are built for dependable operation in 6" diameter or larger water wells. **Do not use motor in swimming areas.**

SPECIFICATIONS

Temperature and Time Rating: Continuous in 86°F (30°C) max. water at 1/2 ft/sec. flow past motor.

Enclosure: Hermetically sealed stator and corrosion-resistant outer shell.

Shaft: Splined, stainless steel.

Bearings: Water lubricated radial and thrust bearings. Thrust bearings are Kingsbury type.

Control Panel: See footnote. ① Subtrol-Plus available per page E-4. ②

Leads: Removable type, 13 ft. (4m) length installed. See page 6-5 for additional leads. ③

Rotation: Electrically reversible.

FOOTNOTES:

① Franklin does not manufacture three-phase controls. Franklin's Subtrol-Plus or three-phase ambient-compensated quick-trip overload protection in all three legs is required for positive motor protection. WARRANTY IS VOID where this protection is not employed.

② Subtrol-Plus heat sensor standard in three-phase 6" 40-60 Hp ratings, optional in 5-30 Hp.

③ WARRANTY IS VOID if Franklin supplied leads or cables are not used.

THREE-PHASE, 60Hz-3450 RPM, 50Hz-2875 RPM

(Special Controls Required ①)

HP	KW	DOWNWARD THRUST	VOLTS	Hz	SERVICE FACTOR	MODEL NUMBER	WIRE SIZE (AWG)
5	3.7	1500 LBS. 6500 N	230	60	1.15	236 720 90	10 W/GND
			380	60	1.15	236 780 90	
			460/380	60/50	1.15/1.0	236 710 90	
7½	5.5	1500 LBS. 6500 N	230	60	1.15	236 721 90	10 W/GND
			380	60	1.15	236 781 90	
			460/380	60/50	1.15/1.0	236 711 90	
10	7.5	3500 LBS. 15500 N	230	60	1.15	236 722 90	10 W/GND
			380	60	1.15	236 782 90	
			460/380	60/50	1.15/1.0	236 712 90	
15	11	3500 LBS. 15500 N	200	60	1.15	236 763 90	10 W/GND
			230	60	1.15	236 723 90	
			380	60	1.15	236 783 90	
			460/380	60/50	1.15/1.0	236 713 90	
20	15	3500 LBS. 15500 N	200	60	1.15	236 764 90	10 W/GND
			230	60	1.15	236 724 90	
			380	60	1.15	236 784 90	
			460/380	60/50	1.15/1.0	236 714 90	
25	18.5	3500 LBS. 15500 N	200	60	1.15	236 765 90	10 W/GND
			230	60	1.15	236 725 90	
			380	60	1.15	236 785 90	
			460/380	60/50	1.15/1.0	236 715 90	
30	22	3500 LBS. 15500 N	200	60	1.15	236 766 90	10 W/GND
			230	60	1.15	236 726 90	
			380	60	1.15	236 786 90	
			460/380	60	1.15/1.0	236 716 90	
40	30	6000 LBS. 27500 N	200	60	1.15	236 767 60	8 W/GND
			230	60	1.15	236 727 60	10 W/GND
			380	60	1.15	236 787 60	
			460/380	60/50	1.15/1.0	236 717 60	
50	37	6000 LBS. 27500 N	200	60	1.15	236 768 60	8 W/GND
			230	60	1.15	236 728 60	10 W/GND
			380	60	1.15	236 788 60	
			460/380	60/50	1.15/1.0	236 718 60	
60	45	6000 LBS. 27500 N	230	60	1.15	236 729 60	8 W/GND
			380	60	1.15	236 789 60	
			460/380	60/50	1.15/1.0	236 719 60	

MODIFICATIONS:

Voltage, hertz and HP ratings not listed here are available with a price adder. Consult factory for price and delivery.

For DOL configuration, see page 6-1.

For DOL corrosion-resistant, see page 6-4.

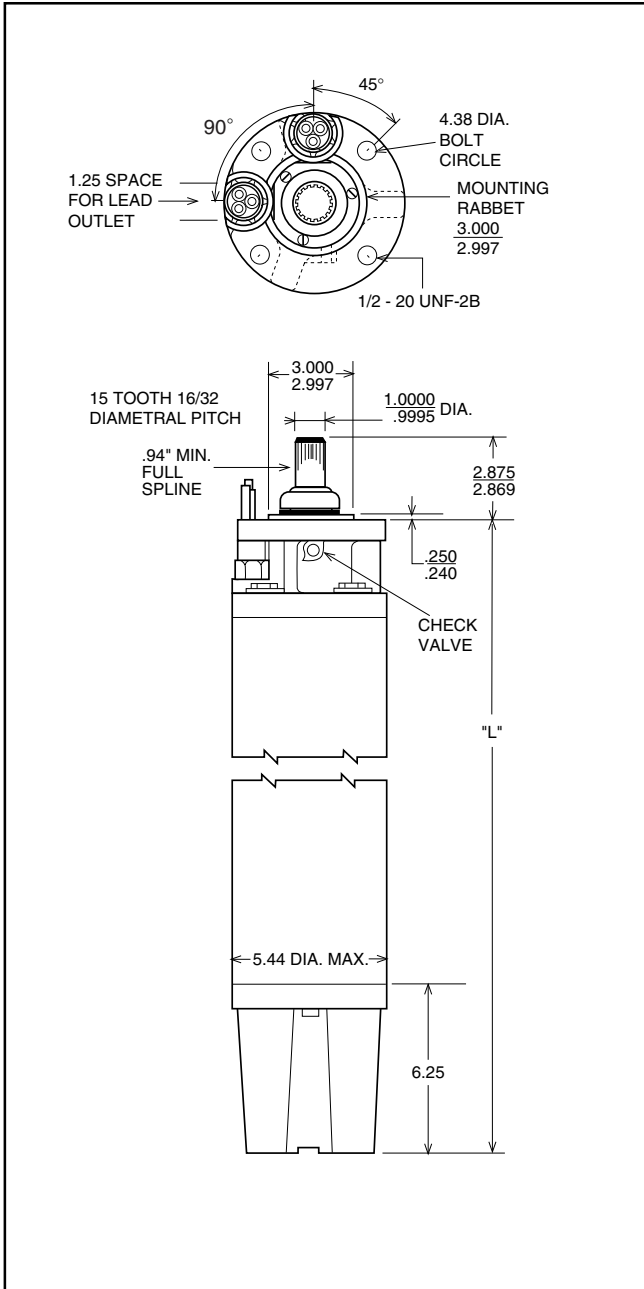
For Wye-Delta corrosion-resistant, call factory.

WARNING: Serious or fatal electrical shock or fire hazard may result from failure to follow the instructions for proper installation and use which accompany this equipment.

FOR MOUNTING DIMENSIONS SEE OPPOSITE SIDE.

Submersible Motors

6" • Water Well • Six Lead Wye-Delta



THREE-PHASE MOTORS					
HP	KW	"L"	SHIPPING WEIGHT		MOTOR CARTON SIZE
			LBS.	KGS.	
5	3.7	22.9"	103	47	6" x 11.5" x 35"
7 1/2	5.5	24.2"	110	50	6" x 11.5" x 35"
10	7.5	25.4"	118	54	6" x 11.5" x 39"
15	11	28.0"	131	60	6" x 11.5" x 39"
20	15	30.6"	147	67	6" x 11.5" x 44"
25	18.5	33.1"	158	72	6" x 11.5" x 44"
30	22	35.7"	176	80	6" x 11.5" x 52"
40	30	40.8"	206	94	6" x 11.5" x 52"
50	37	55.3"	304	138	9" x 12" x 76"
60	45	61.3"	334	152	9" x 12" x 78"

CONSTRUCTION MATERIALS

Component	Standard Water Well
Castings	Gray Iron
Stator Shell	301 S.S.
Stator Ends	Low Carbon Steel
Shaft Extension	303 S.S., except 17-4 S.S. on 40-60 Hp
Fasteners	300 & 400 Series S.S.
Seal Cover	304 S.S. & Sintered Bronze
Seal	Carbon/Ceramic Face Seal ①
Diaphragm	Nitrile Rubber
Diaphragm Plate	304 S.S.
Diaphragm Spring	302 S.S.
Slinger	Nitrile Rubber
Lead Wire	Hypalon 75°C ②
Lead Potting	Epoxy
Filter	Delrin & Polyester
Insulation	Class F

- ① Sand Fighter™ motors available in 6-lead wye-delta for sand well applications.
 ② Removable type, factory installed. Consult page 6-5 for additional leads.

NOTE: All dimensions shown in inches.

Specifications subject to change without notice. Contact Franklin Electric if current material types are required for bid specifications.



Franklin Electric

400 East Spring Street
 Bluffton, Indiana 46714
 Tel: 219.824.2900 Fax: 219.824.2909
 www.franklinelect.com